

HDL 50-A 4K LARGE SYSTEM- EQUIPMENT

16 + 16 / 20 SUB

SYSTEM

| | | | | |
|------------|---|---|-----------------------|----|
| 130.00.641 | N | > | HDL 50-A 4K 100-240V | 32 |
| 130.00.493 | N | > | SUB 9007-AS 100-240 V | 20 |

SUSPENSION

| | | | | |
|------------|---|---|----------------------------|---|
| 133.60.334 | N | > | FL-B HDL 50 | 2 |
| 133.60.335 | R | > | QL-PIN D11.2 L31 4X | 2 |
| 133.60.340 | R | > | QL-PIN D12.6 L32 4X | 2 |
| 133.60.132 | R | > | QL-PIN D11.1 L44.5 4X | 1 |
| 133.60.127 | O | > | FL-B PK TTL 55 | - |
| 133.60.129 | R | > | HOIST SPACING CHAIN TTL 55 | 2 |
| 133.60.128 | O | > | SAFETY CHAIN TTL 55 | - |

TRANSPORTATION

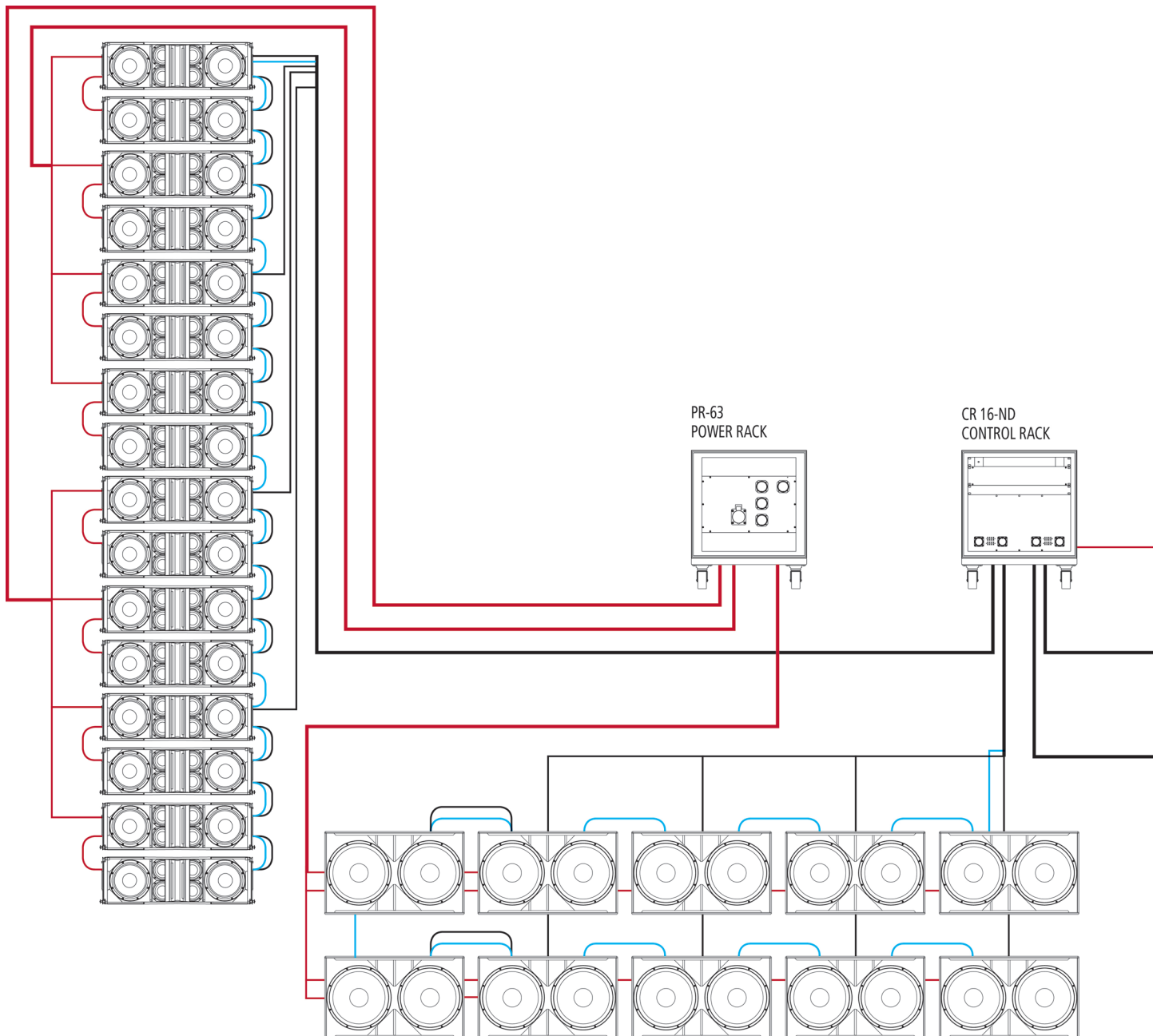
| | | | | |
|------------|---|---|------------------|----|
| 133.60.336 | N | > | KRT-WH 4X HDL 50 | 8 |
| 133.60.348 | N | > | KRT-WH SUB 9007 | 20 |
| 133.60.338 | R | > | CVR 4X HDL 50 | 8 |
| 133.60.339 | R | > | CVR SUB 9007 | 20 |

RAIN PROTECTIONS

| | | | | |
|------------|---|---|----------------|----|
| 133.60.337 | R | > | RP 1X HDL 50 | 32 |
| 133.60.352 | R | > | RP 1X SUB 9007 | 20 |

SYSTEM CONTROL - CABLING

| | | | | |
|------------|---|---|---------------------|---|
| 121.00.004 | R | > | CR 16-ND | 1 |
| 123.99.021 | R | > | CBL LKS 25-2 FANOUT | 4 |



SYSTEM CONTROL - CABLING

| | | | | |
|------------|---|---|----------------------------|----|
| 123.99.022 | R | > | CBL LK 25 MULTIPIN 20M | 4 |
| 123.99.023 | R | > | CBL LK 25 MULTIPIN 10M | 2 |
| 123.99.016 | R | > | CBL ETHERCON 0.7M | 32 |
| 123.99.017 | R | > | CBL ETHERCON 1.5M | 10 |
| 123.99.035 | R | > | CBL ETHERCON 3M | 9 |
| 123.99.018 | O | > | CBL ETHERCON 5M | - |
| 123.99.019 | R | > | CBL ETHERCON TO XLR F 0.2M | 4 |
| 123.99.020 | O | > | CBL ETHERCON TO XLR M 0.2M | - |

POWER DISTRIBUTION - CABLING

| | | | | |
|------------|---|---|-------|---|
| 121.00.006 | R | > | PR-63 | 2 |
|------------|---|---|-------|---|

POWER DISTRIBUTION - CABLING

| | | | | |
|------------|---|---|-------------------------|----|
| 123.99.024 | R | > | CBL LKS 19 ARRAY FANOUT | 4 |
| 123.99.025 | R | > | CBL LKS 19 SUB FANOUT | 2 |
| 133.60.146 | R | > | CBL LKS 19 POWER 20M | 4 |
| 123.99.027 | R | > | CBL LKS 19 POWER 10M | 2 |
| 123.99.026 | O | > | CBL LKS 19 BREAKOUT | - |
| 123.99.031 | R | > | CBL POWERCON LINK 0.7M | 16 |
| 123.99.030 | O | > | CBL POWERCON LINK 1.5M | - |
| 123.99.029 | R | > | CBL POWERCON LINK 5M | 9 |
| 123.99.028 | O | > | CBL POWERCON LINK 10M | - |

N > NECESSARY / R > RECCOMENDED / O > OPTIONAL

