

# HDL 30-A EXTRA LARGE SYSTEM - EQUIPMENT

## 20 + 20 / 8 + 8 SIDE / 27 SUB

### SYSTEM

130.00.511	N	>	HDL 30-A 100-240V	56
130.00.494	N	>	SUB 9006-AS 240 V	27

### SUSPENSION

133.60.380	N	>	FL-B HDL 30	4
------------	---	---	-------------	---

### TRANSPORTATION

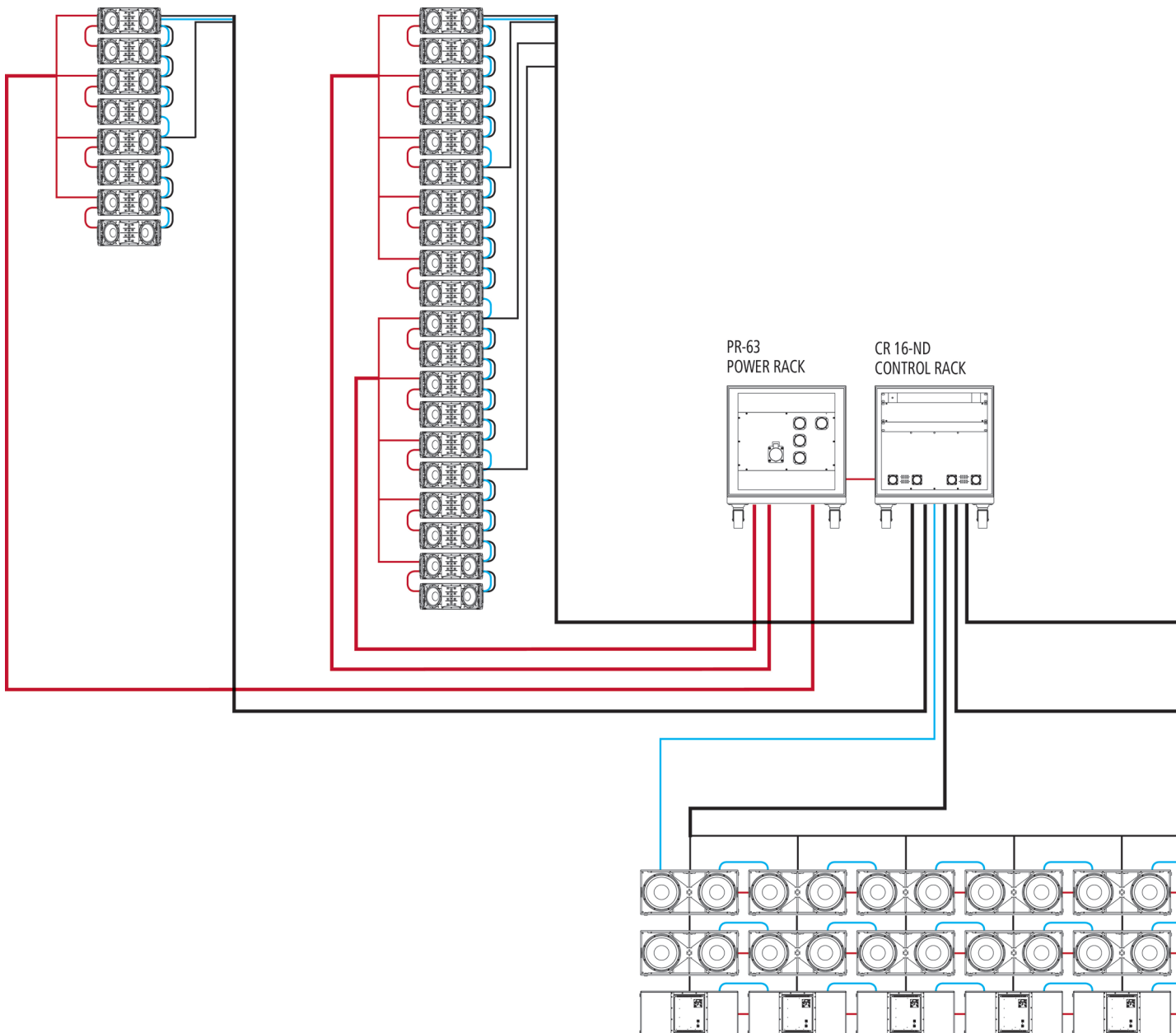
133.60.361	N	>	KRT-WH SUB 9006	27
133.60.382	N	>	KRT-WH 4X HDL 30	14
133.60.386	R	>	CVR 4X HDL 30	14
133.60.363	R	>	KRT-WH 4X HDL 30	27

### RAIN PROTECTIONS

133.60.362	R	>	RP 1X SUB 9006	27
133.60.388	R	>	RP 1X HDL 30	56

### SYSTEM CONTROL - CABLING

121.00.004	N	>	CR 16-ND	1
123.99.016	N	>	CBL ETHERCON 0.7M	52
123.99.035	N	>	CBL ETHERCON 3M	26
123.99.021	N	>	CBL LKS 25-2 FANOUT	4
123.99.022	N	>	CBL LK 25 MULTIPIN 20M	8
123.99.019	N	>	CBL ETHERCON TO XLR F 0.2M	5



## POWER DISTRIBUTION - CABLING

121.00.006	N	>	PR-63	3
123.99.024	N	>	CBL LKS 19 ARRAY FANOUT	6
123.99.025	N	>	CBL LKS 19 SUB FANOUT	3
123.99.146	N	>	CBL LKS 19 POWER 20M	11
123.99.031	N	>	POWERCON LINK 0.6 M	20
123.99.029	N	>	CBL POWERCON LINK 5M	9

