

HDL 30-A MEDIUM SYSTEM - EQUIPMENT

8 + 8 / 8 SUB

SYSTEM

130.00.511	N	>	HDL 30-A 100-240V	16
130.00.580	N	>	HDL 38-AS 100-240V	-
130.00.494	N	>	SUB 9006-AS 240 V	8

SUSPENSION

133.60.380	N	>	FL-B HDL 30	2
------------	---	---	-------------	---

TRANSPORTATION

133.60.361	N	>	KRT-WH SUB 9006	8
133.60.382	N	>	KRT-WH 4X HDL 30	4
133.60.430	N	>	KRT-WH 3X HDL 38	-
133.60.386	R	>	CVR 4X HDL 30	4
133.60.363	R	>	CVR SUB 9006	8

RAIN PROTECTIONS

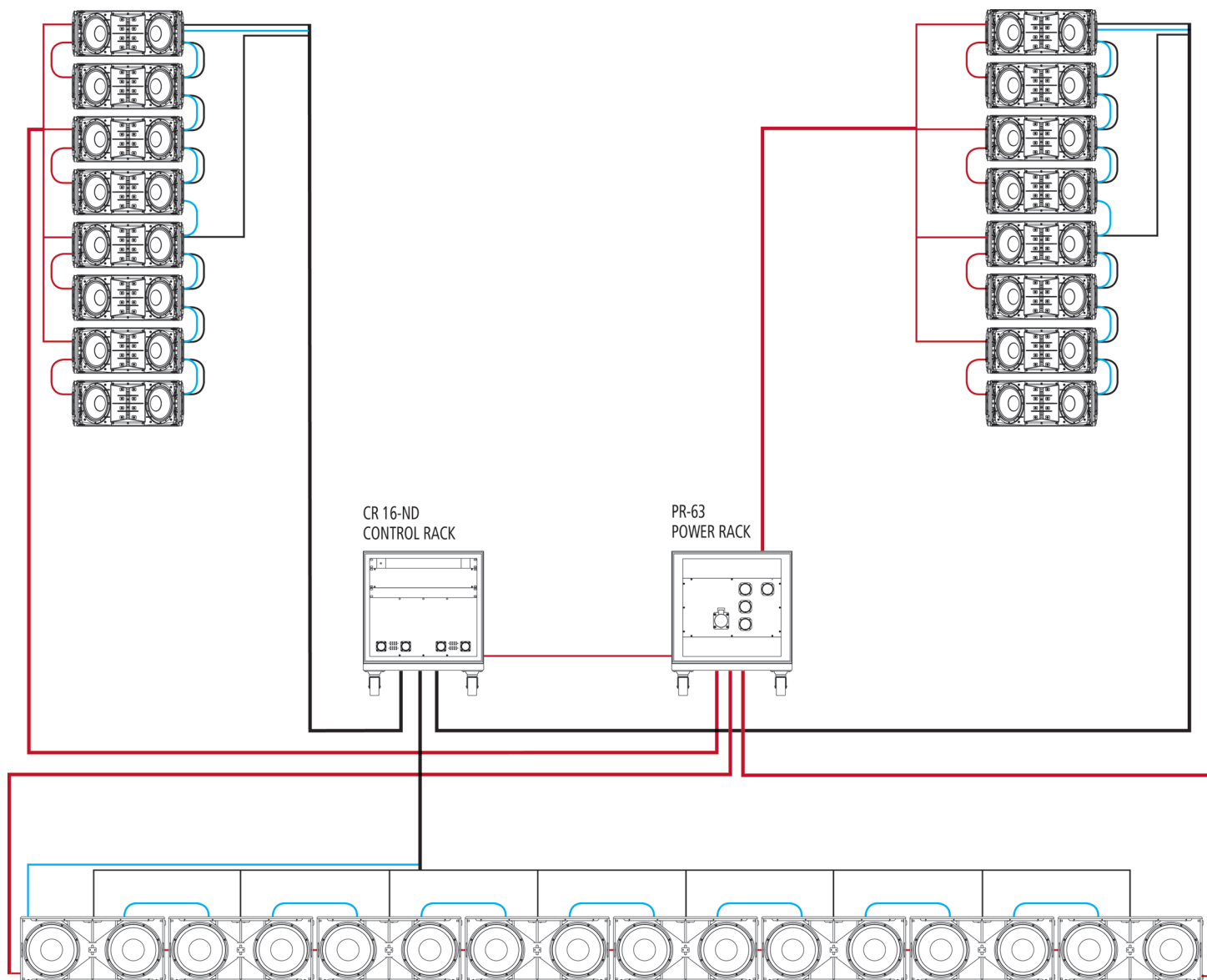
133.60.362	R	>	RP 1X SUB 9006	8
133.60.388	R	>	RP 1X HDL 30	16

SYSTEM CONTROL - CABLING

121.00.004	N	>	CR 16-ND	1
171.70.163	R	>	RDNET CONTROL 2	-
123.99.016	N	>	CBL ETHERCON 0.7M	14
123.99.035	N	>	CBL ETHERCON 3M	7
123.99.021	N	>	CBL LKS 25-2 FANOUT	3
123.99.022	N	>	CBL LK 25 MULTIPIN 20M	3
123.99.019	N	>	CBL ETHERCON TO XLR F 0.2M	3

POWER DISTRIBUTION - CABLING

121.00.006	N	>	PR-63	1
123.99.024	N	>	CBL LKS 19 ARRAY FANOUT	2
123.99.025	N	>	CBL LKS 19 SUB FANOUT	1
123.99.146	N	>	CBL LKS 19 POWER 20M	3
123.99.029	N	>	POWERCON LINK 5 M	2
123.99.031	N	>	POWERCON LINK 0.6 M	4
123.99.030	O	>	CBL POWERCON LINK 1.5M	-



— LK 25 — AUDIO SIGNAL — RD NET

— LKS 19 — POWER DISTRIBUTION